

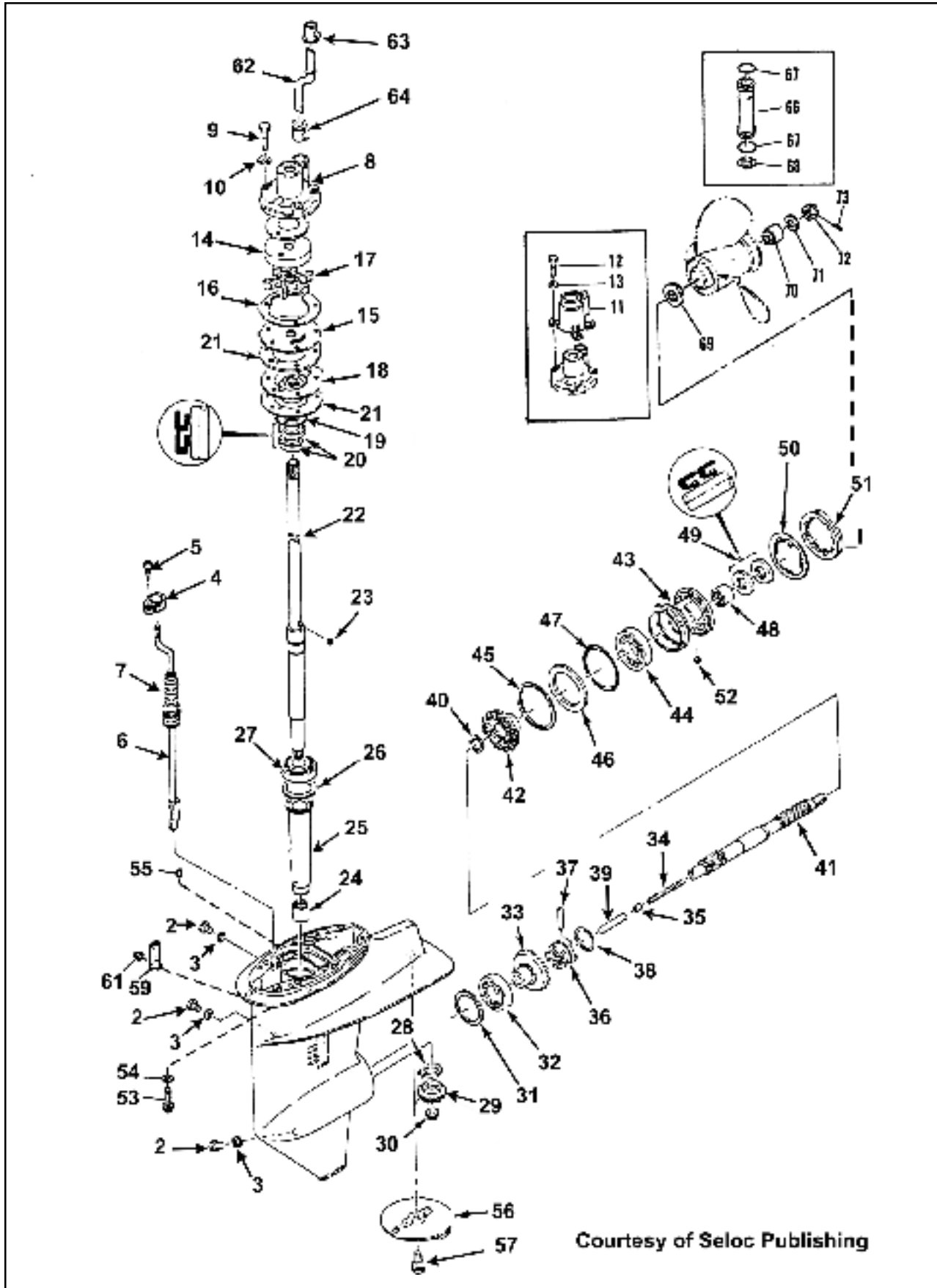
# YAMAHA

Gearcase 25 HP (1986-87)

C25 HP (1990-91) C30 HP (1989-91)



OUTBOARD



Courtesy of Seloc Publishing



**YAMAHA**

**Gearcase 25 HP (1986-87)**

**C25 HP (1990-91) C30 HP (1989-91)**

Figure #	Description	Sierra#	AP#	O.E.M.#	Qty.	Figure #	Description	Sierra#	AP#	O.E.M.#	Qty.
1.	Housing, Gearcase	—	—	689-45311-04-EK3	1	35.	Slide, Shift	—	—	648-45634-00-00	1
2.	Plug, Drain & Vent	—	—	90340-08M04-00	3	36.	Clutch, Dog	—	—	664-45631-01-00	1
3.	Gasket, Plug	—	—	90430-08020-00	3	37.	Pin, Clutch Dog	—	—	90250-05010-00	1
4.	Bracket, Shift Shaft	—	—	689-44176-01-00	1	38.	Ring, Cross Pin	—	—	648-45633-00-00	1
5.	Screw, Bracket	—	—	97780-50610-00	1	39.	Plunger, Shift	—	—	648-45635-00-00	1
6.	Shift Cam Assembly (short shaft)	—	—	664-44150-01-00	1	40.	Thrust, Washer, Prop Shaft	—	—	90201-20417-00	1
6.	Shift Cam Assembly (long shaft)	—	—	664-44150-11-00	1	41.	Shaft, Propeller	—	—	689-45611-00-00	1
7.	Boot, Shift Rod	—	—	664-44147-00-00	1	42.	Gear, Reverse	—	—	689-45571-00-00	1
8.	Housing, Water Pump	18-3418	13189	689-44311-03-00	1	43.	Bearing Carrier	—	—	689-45331-01-94	1
9.	Bolt, Pump Housing	—	—	90101-06M56-00	3	44.	Bearing, Reverse Gear	—	—	93306-00612-00	1
10.	Washing, Housing (short shaft)	—	—	90209-06M04-00	3	45.	Shim Reverse Gear (0.5mm)	—	—	664-45577-00-05	AR
11.	Extension, Housing (long shaft)	—	—	689-44312-00-5B	1	45.	Shim Reverse Gear (0.8mm)	—	—	664-45577-00-08	AR
12.	Bolt, Extension (long shaft)	—	—	97080-06035-00	3	45.	Shim Reverse Gear (0.12mm)	—	—	664-45577-01-12	AR
13.	Washer, Bolt (long shaft)	—	—	92990-06600-00	3	45.	Shim Reverse Gear (0.30mm)	—	—	664-45577-01-30	AR
14.	Insert Cup	18-3439	—	689-W4432-02-00.	1	45.	Shim Reverse Gear (0.50mm)	—	—	664-45577-01-50	AR
15.	Impeller Plate	18-3438	—	689-44323-03-00	1	46.	Washer, Thrust	—	—	664-45576-00-00	1
16.	Gasket, Impeller Plate	18-0774	① 2317	689-44324-A0-00	1	47.	O-Ring, Bearing Carrier	18-7399	① 2326	93210-30MA3-00	1
17.	Impeller	18-3067	2008	689-44352-02-00	1	48.	Bearing, Prop Shaft	—	—	93315-22004-00	1
18.	Base, Water Pump	—	—	689-44325-02-5B	1	49.	Seal, Prop Shaft	18-0554	① 2320	93101-20M07-00	2
19.	O-Ring, Pump Base	18-7405	① 2325	93210-40M10-00	1	50.	Tab Washer	—	—	90214-45M02-00	1
20.	Oil Seal, Pump Base	18-0296	① 2040	93101-22067-00	2	51.	Nut, Cover	—	—	664-45384-00-00	1
21.	Gasket Base	18-0773	① 2316	689-44316-A0-00	1	52.	Key, Bearing Carrier	—	—	90282-04010-00	1
22.	Drive Shaft (short)	—	—	689-45501-00-00	1	53.	Bolt, Gearcase Mounting	—	—	90105-10059-00	2
22.	Drive Shaft (long)	—	—	689-45501-10-00	1	54.	Washer, Gearcase Mounting	—	—	92990-10600-00	4
23.	Key, Impeller	—	—	664-44338-00-00	1	55.	Pin, Dowel	—	—	93606-12019-00	2
24.	Bearing, Pinion	—	—	93315-017U4-00	1	56.	Trim Tab	—	—	664-45371-01-00	1
25.	Sleeve, Drive Shaft	—	—	689-45536-00-00	1	57.	Bolt, Trim Tab	—	—	90105-08M02-00	1
26.	Shim Pinion Gear (0.5mm)	—	—	664-45587-00-05	AR	58.	Cover, Water Inlet (port)	—	—	689-45214-01-00	1
26.	Shim Pinion Gear (0.8mm)	—	—	664-45587-00-08	AR	59.	Cover, Water Inlet (stbd)	—	—	689-45215-01-00	1
26.	Shim Pinion Gear (0.12mm)	—	—	664-45587-01-12	AR	60.	Screw, Inlet Cover	—	—	98780-05525-00	1
26.	Shim Pinion Gear (0.30mm)	—	—	664-45587-01-30	AR	61.	Nut, Nylock	—	—	90185-05904-00	1
26.	Shim Pinion Gear (0.50mm)	—	—	664-45587-01-50	AR	62.	Water Tube (short shaft)	—	—	664-44361-00-00	1
27.	Bearing, Drive Shaft	—	—	93332-000U4-00	1	62.	Water Tube (long shaft)	—	—	689-44361-10-00	1
28.	Bearing, Thrust	—	—	664-45552-09-00	1	63.	Seal, Upper Water Tube	18-0552	① 2318	689-44366-00-00	1
29.	Gear, Pinion	—	—	689-45551-00-00	1	64.	Seal, Lower Water Tube	—	—	626-44365-01-00	1
30.	Nut, Pinion	—	—	90179-09M02-00	1	65.	Spacer	—	—	689-44314-00-00	1
31.	Shim Forward Gear (0.5mm)	—	—	664-45567-00-05	AR	66.	Extension Tube (long shaft)	—	—	689-44362-00-94	1
31.	Shim Forward Gear (0.8mm)	—	—	664-45567-00-08	AR	67.	O-Ring, Extension Tube (long shaft)	—	—	93210-26240-00	2
31.	Shim Forward Gear (0.12mm)	—	—	664-45567-01-12	AR	68.	Plate (long shaft)	—	—	689-44328-03-00	1
31.	Shim Forward Gear (0.30mm)	—	—	664-45567-01-30	AR	69.	Prop Spacer (fore)	—	—	664-45987-01-00	1
31.	Shim Forward Gear (0.50mm)	—	—	664-45567-01-50	AR	70.	Prop Spacer (aft)	—	—	689-45997-00-00	1
32.	Bearing, Forward Gear	—	—	93332-00005-00	1	71.	Washer, Prop Mounting	—	—	92990-14200-00	1
33.	Gear, Forward	—	—	689-45560-00-00	1	72.	Nut, Propeller	—	—	90171-14013-00	1
34.	Spring, Compression	—	—	90501-10065-00	1	73.	Cotter Pin	18-2380	2083	91490-30030-00	1
						74.	Gear Housing Seal Kit	18-2785	2332	689-W0001-22-00	1

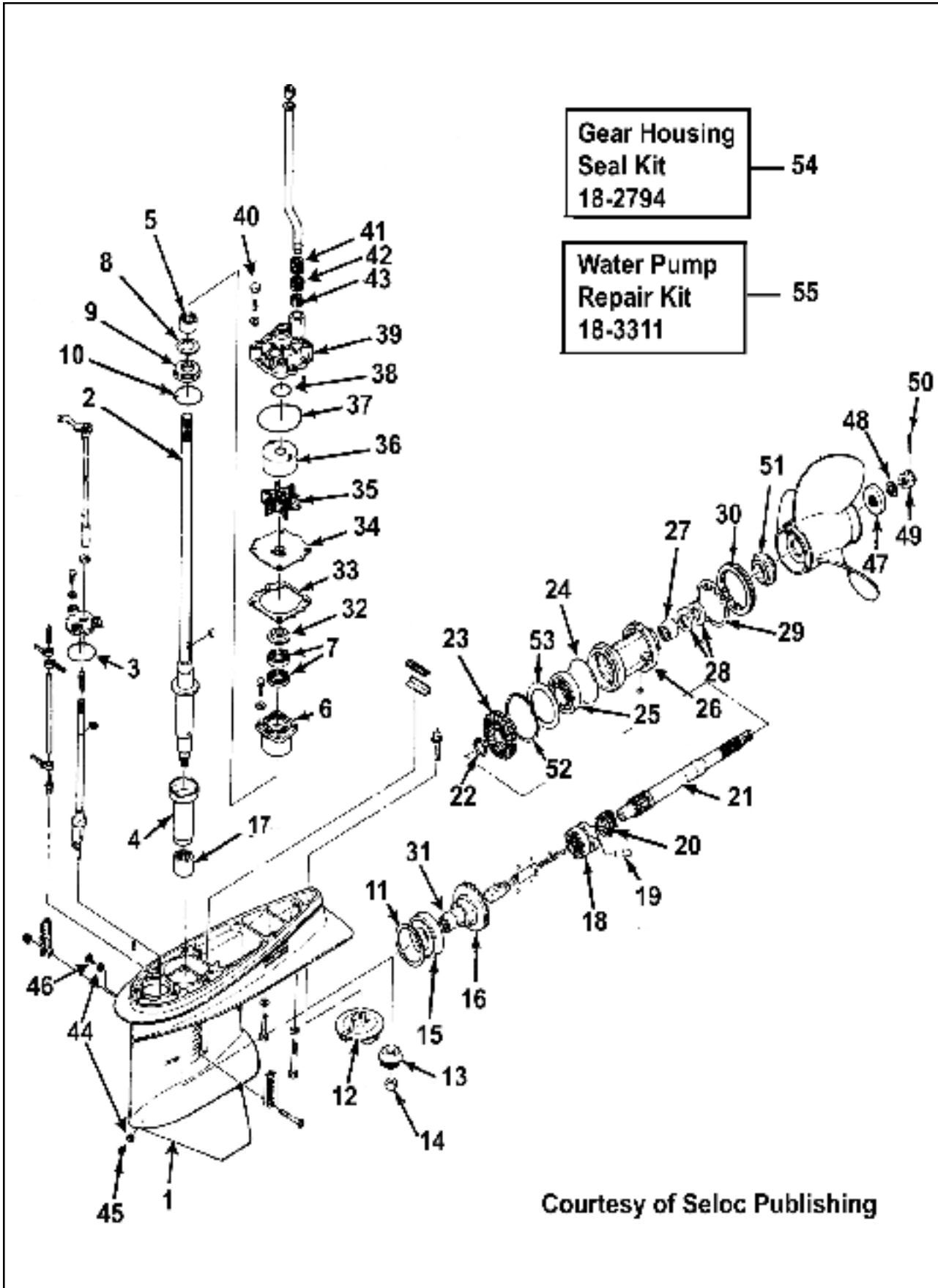
① Contents of Gear Housing Seal Kit **18-2785/AP# 2332** AR As required

**OUTBOARD**

**YAMAHA**  
Gearcase V-6 (1984-91)



**OUTBOARD**



Courtesy of Seloc Publishing



# YAMAHA

## Gearcase V-6 (1984-91)

Figure #	Description	Sierra#	AP#	O.E.M.#	Qty.	Figure #	Description	Sierra#	AP#	O.E.M.#	Qty.
1.	Housing, Gearcase	—	—	6J9-45301-02-EK	1	25.	Bearing, Reverse Gear	—	—	93306-209U0-00	1
2.	Drive Shaft (long)	—	—	6G5-45501-01-00	1	26.	Bearing Housing Assembly	—	—	6J9-45332-00-94	1
2.	Drive Shaft (x-long)	—	—	6G5-45501-21-00	1	27.	Bearing, Needle	—	—	93315-430U8-00	1
3.	O-Ring, Plate	—	—	93210-58677-00	1	28.	Seal, Prop Shaft	18-0266 ①	2035	93101-30M17-00	2
4.	Sleeve, Drive Shaft	—	—	6G5-45536-01-00	1	29.	Washer, Tab	—	—	9G5-45383-01-00	1
5.	Bearing, Needle	—	—	93315-430V5-00	1	30.	Nut, Cover	—	—	6G5-45384-00-00	1
6.	Housing, Bearing	—	—	6E5-45331-00-94	1	31.	Bearing, Needle	—	—	93315-425V3-00	2
7.	Seal, Drive Shaft	18-0265 ①	2034	93101-28M16-00	2	32.	Cover, Oil Seal	—	—	6E5-45344-00-00	1
8.	Shim (0.10mm)	—	—	6E5-45587-01-10	AR	33.	Gasket, Wear Plate	18-0244 ① ②	2052	6E5-44315-A0-00	1
8.	Shim (0.12mm)	—	—	6E5-45587-01-12	AR	34.	Wear Plate	18-3345 ②	2274	6G5-44323-00-00	1
8.	Shim (0.15mm)	—	—	6E5-45587-01-15	AR	35.	Impeller	18-3071 ②	2275	6E5-44352-00-00	1
8.	Shim (0.18mm)	—	—	6E5-45587-01-18	AR	36.	Insert, Water Pump	18-3177 ②	2272	6E5-44322-00-00	1
8.	Shim (0.30mm)	—	—	6E5-45587-01-30	AR	37.	O-Ring, Water Pump	18-7485 ① ②	2044	93210-86M38-00	1
8.	Shim (0.40mm)	—	—	6E5-45587-01-40	AR	38.	O-Ring, Water Pump	18-7483 ① ②	2041	93210-37M67-00	1
8.	Shim (0.50mm)	—	—	6E5-45587-01-50	AR	39.	Housing, Water Pump	18-3170	2338	6E5-44311-00-00	1
9.	Bearing, Tapered	—	—	933410-930U0-00	1	40.	Bolt, Water Pump	—	—	97080-08045-00	4
10.	O-Ring, Housing	—	—	93210-54534-00	1	41.	Damper, Water Seal	—	—	6E5-44366-00-00	1
11.	Shim (0.10mm)	—	—	6G5-45567-01-10	AR	42.	Cover, Pump Housing	—	—	6E5-44312-00-00	1
11.	Shim (0.12mm)	—	—	6G5-45567-01-12	AR	43.	Damper, Water Seal	—	—	6E5-44365-00-00	1
11.	Shim (0.15mm)	—	—	6G5-45567-01-15	AR	44.	Gasket, Drain Plugs	—	—	90430-08020-00	2
11.	Shim (0.18mm)	—	—	6G5-45567-01-18	AR	45.	Drain, Plug, Lower	—	—	688-45341-00-00	1
11.	Shim (0.30mm)	—	—	6G5-45567-01-30	AR	46.	Drain Plug, Upper	—	—	90340-08M04-00	1
11.	Shim (0.40mm)	—	—	6G5-45567-01-40	AR	47.	Spacer, Prop	18-4274	1831	688-45997-01-00	1
11.	Shim (0.50mm)	—	—	6G5-45567-01-50	AR	48.	Washer, Prop	—	—	92990-18200-00	1
12.	Trim Tab	18-6035	4049	6J9-45371-01-00	1	49.	Nut, Prop	18-3726	1830	90171-18M04-00	1
13.	Gear, Pinion	—	—	6G5-45551-01-00	1	50.	Pin, Cotter	18-3735	1832	91490-40030-00	1
14.	Nut, Pinion	—	—	90170-16M01-00	1	51.	Washer, Thrust	—	—	6E5-45987-00-00	1
15.	Bearing, Forward Gear	—	—	93332-000V3-00	1	52.	Shim (0.10mm)	—	—	6G5-45577-02-10	AR
16.	Gear, Forward	—	—	6G5-45631-00-00	1	52.	Shim (0.12mm)	—	—	6G5-45577-02-12	AR
17.	Bearing, Needle	—	—	90250-08M07-00	1	52.	Shim (0.15mm)	—	—	6G5-45577-02-15	AR
18.	Clutch, Dog	—	—	6E5-45633-01-00	1	52.	Shim (0.18mm)	—	—	6G5-45577-02-18	AR
19.	Cross Pin, Clutch	—	—	90250-08M07-00	1	52.	Shim (0.30mm)	—	—	6G5-45577-02-30	AR
20.	Retainer, Cross Pin	—	—	6E5-45633-01-00	1	52.	Shim (0.40mm)	—	—	6G5-45577-02-40	AR
21.	Shaft, Propeller	—	—	6J9-45611-01-00	1	52.	Shim (0.50mm)	—	—	6G5-45577-02-50	AR
22.	Washer, Thrust	—	—	90201-30M92-00	1	53.	Washer, Thrust	—	—	6G5-45576-00-00	1
23.	Gear, Reverse	—	—	6G5-45571-02-00	1	54.	Gear Housing Seal Kit	18-2794	2151	6G5-W0001-21-00	1
24.	O-Ring, Bearing Housing	18-0275 ①	2045	93210-97M55-00	1	55.	Water Pump Repair Kit	18-3311	—	6G5-W0078-00-00	1

① Contents of Gear Housing Seal Kit **18-2794/AP# 2151**  
 ② Contents of Water Pump Repair Kit **18-3311**

AR As required

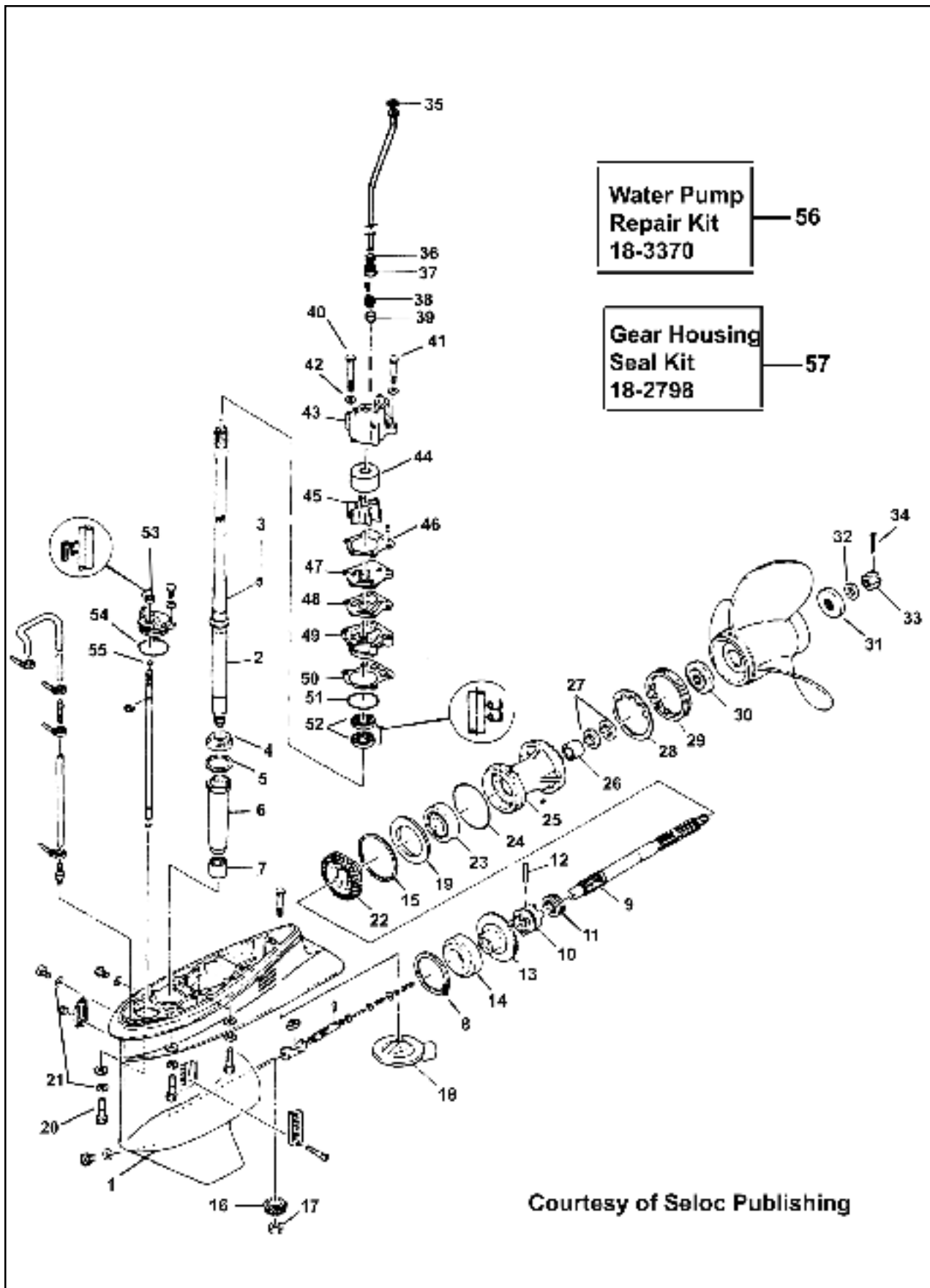
OUTBOARD

# YAMAHA

## Gearcase 85 & 90 HP



**OUTBOARD**



Courtesy of Seloc Publishing



# YAMAHA

## Gearcase 85 & 90 HP

Figure #	Description	Sierra#	AP#	O.E.M.#	Qty.	Figure #	Description	Sierra#	AP#	O.E.M.#	Qty.
1.	Gearcase	—	—	6H1-45301-04-EK	1	16.	Gear, Pinion	—	—	688-45551-01-00	1
2.	Drive Shaft	—	—	6H1-45501-11-00	1	17.	Nut, Pinion	—	—	90170-16M01-00	1
3.	Key, Impeller	18-3301 ①	2027	90280-04M04-00	1	18.	Trim Tab	18-6070	4052	988-45371-02-00	1
4.	Bearing, Upper Drive Shaft	—	—	93332-000U3-00	1	19.	Washer, Thrust	—	—	688-45576-00-00	1
5.	Shim Drive Shaft (0.10mm)	—	—	688-45587-01-10	AR	20.	Plug, Drain	—	—	688-45341-00-00	1
5.	Shim Drive Shaft (0.12mm)	—	—	688-45587-01-12	AR	21.	Gasket, Vent & Drain Plugs	—	—	90430-08020-00	3
5.	Shim Drive Shaft (0.15mm)	—	—	688-45587-01-15	AR	22.	Gear, Reverse	—	—	6H1-45571-00-00	1
5.	Shim Drive Shaft (0.18mm)	—	—	688-45587-01-18	AR	23.	Bearing, Reverse Gear	—	—	93306-207U0-00	1
5.	Shim Drive Shaft (0.30mm)	—	—	688-45587-01-30	AR	24.	O-Ring, Bearing Housing	18-0288 ②	—	93210-85M97-00	1
5.	Shim Drive Shaft (0.40mm)	—	—	688-45587-01-40	AR	25.	Housing, Bearing	—	—	688-45331-00-94	1
5.	Shim Drive Shaft (0.50mm)	—	—	688-45587-01-50	AR	26.	Bearing, Needle	—	—	93317-325U0-00	1
6.	Sleeve, Drive shaft	—	—	688-45536-01-00	1	27.	Oil Seal	18-0587 ②	2037	93101-25M03-00	2
7.	Bearing, Pinion	—	—	93315-325V1-00	1	28.	Washer, Tab	—	—	688-45383-02-00	1
8.	Shim Forward Gear (0.10mm)	—	—	688-45567-01-10	AR	29.	Nut, Cover	—	—	688-45384-00-00	1
8.	Shim Forward Gear (0.12mm)	—	—	688-45567-01-12	AR	30.	Spacer, Forward	—	—	688-45987-01-00	1
8.	Shim Forward Gear (0.15mm)	—	—	688-45567-01-15	AR	31.	Spacer	18-4274	1831	688-45997-01-00	1
8.	Shim Forward Gear (0.18mm)	—	—	688-45567-01-18	AR	32.	Washer, Propeller	—	—	90201-17M00-00	1
8.	Shim Forward Gear (0.30mm)	—	—	688-45567-01-30	AR	33.	Nut, Castle	—	—	90171-16011-00	1
8.	Shim Forward Gear (0.40mm)	—	—	688-45567-01-40	AR	34.	Pin, Cotter	18-3735	1832	91490-40030-00	1
8.	Shim Forward Gear (0.50mm)	—	—	688-45567-01-50	AR	35.	Washer	—	—	90202-12060-00	1
9.	Shaft, Propeller	—	—	6H1-45611-01-00	1	36.	Gasket	—	—	90430-12072-00	1
10.	Clutch, Dog	—	—	6H1-45631-01-00	1	37.	Damper, Water Seal	—	—	663-44367-00-00	1
11.	Spring, Cross Pin	—	—	688-45633-00-00	1	38.	Grommet	—	—	90480-19M06-00	1
12.	Pin, Cross	—	—	90250-07M02-00	1	39.	Damper, Water Seal	18-0280	—	663-44366-00-00	2
13.	Gear, Forward	—	—	688-45560-00-00	1	40.	Bolt, Water Pump	18-0259 ①	5204	97395-08070-00	2
14.	Bearing, Forward Gear	—	—	93332-000W7-00	1	41.	Bolt, Water Pump	18-0257 ①	5206	97395-08050-00	2
15.	Shim Reverse Gear (0.10mm)	—	—	688-45577-01-10	AR	42.	Washer, Water Pump	—	—	90209-08M02-00	4
15.	Shim Reverse Gear (0.12mm)	—	—	688-45577-01-12	AR	43.	Housing, Water Pump	18-3171	2339	688-44311-01-00	1
15.	Shim Reverse Gear (0.15mm)	—	—	688-45577-01-15	AR	44.	Insert, Water Pump	18-3335 ①	2002	688-44322-00-00	1
15.	Shim Reverse Gear (0.18mm)	—	—	688-45577-01-18	AR	45.	Impeller	18-3070 ①	2006	688-44352-03-00	1
15.	Shim Reverse Gear (0.30mm)	—	—	688-45577-01-30	AR	46.	Gasket, Wear Plate to Housing	18-0239 ① ②	2020	688-44315-A0-00	1
15.	Shim Reverse Gear (0.40mm)	—	—	688-45577-01-40	AR	47.	Wear Plate	18-3341 ①	2001	688-44323-00-00	1
15.	Shim Reverse Gear (0.50mm)	—	—	688-45577-01-50	AR	48.	Gasket, Wear Plate to Base	18-0243 ① ②	2021	688-44324-A0-00	1
						49.	Base, Water Pump	—	—	688-44341-01-94	1
						50.	Gasket, Base	18-0240 ① ②	2022	688-44316-A0-00	1
						51.	O-Ring, Base	18-7436 ① ②	2024	9321-46044-00	1
						52.	Oil Seal, Pump Base	18-0587 ②	2037	93101-25M03-00	2
						53.	Oil Seal, Shift Shaft	18-0267 ②	2036	93106-09014-00	1
						54.	O-Ring	—	—	93210-49046-00	1
						55.	O-Ring	—	—	93210-07540-00	1
						56.	Water Pump Repair Kit	18-3370	2080	692-W0078-00-00	1
						57.	Gear Housing Seal Kit	18-2798	2149	688-W0001-20-00	1

① Contents of Gear Housing Seal Kit **18-2798/AP# 2149**

AR As required

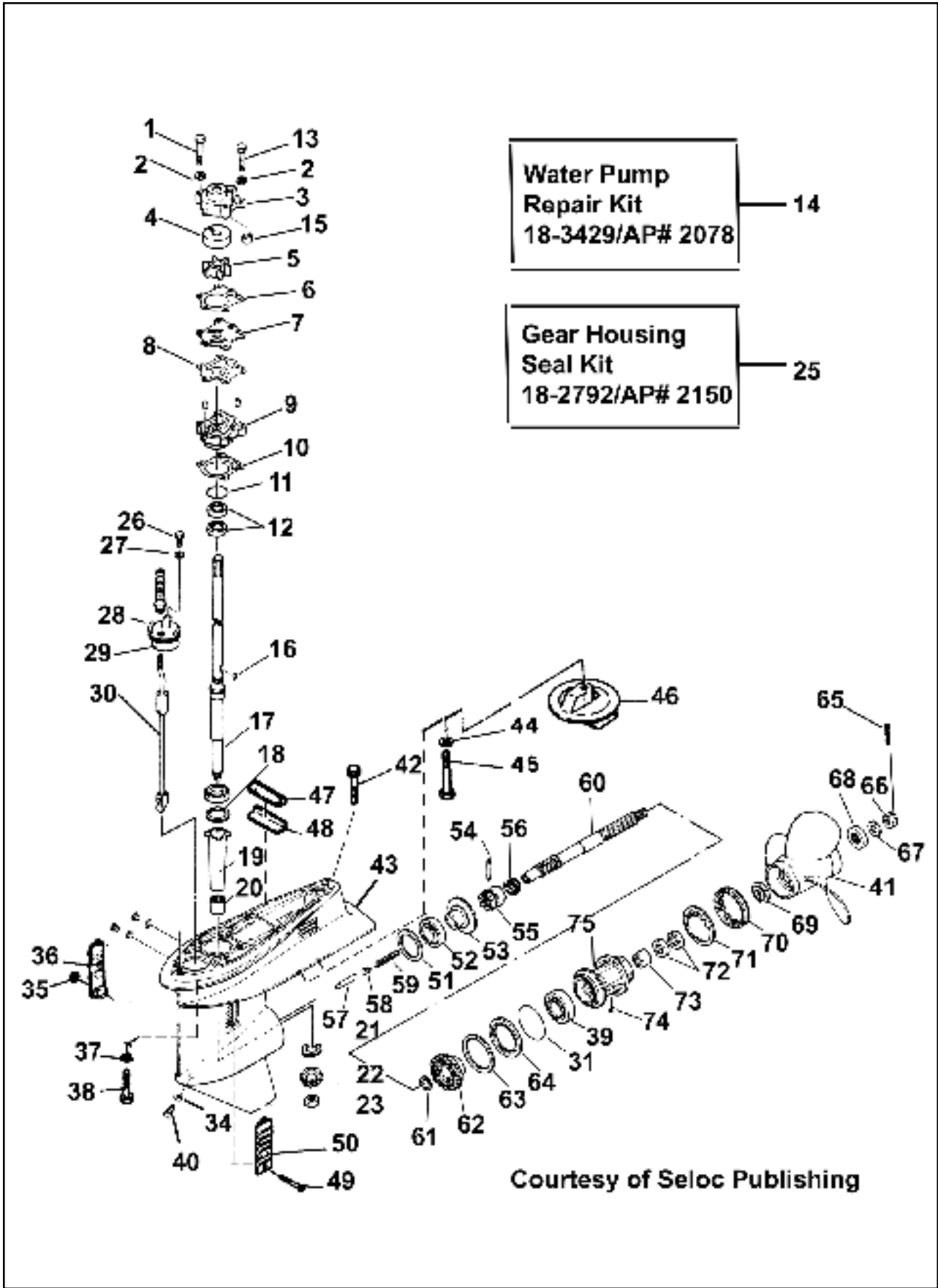
② Contents of Water Pump Repair Kit **18-3370/AP# 2080**

**OUTBOARD**

**YAMAHA**  
Gearcase 40 & 50 HP (1984-91)



**OUTBOARD**



Courtesy of Seloc Publishing



# YAMAHA

## Gearcase 40 & 50 HP (1984-91)

Figure #	Description	Sierra#	AP#	O.E.M.#	Qty.	Figure #	Description	Sierra#	AP#	O.E.M.#	Qty.
1.	Bolt, Water Pump Housing	18-0257 ①	5206	97395-08055-00	2	42.	Bolt, Trim Tab	—	—	97575-08675-00	1
2.	Washer, Water Pump Housing	—	—	92990-08600-00	4	43.	Casing, Lower	—	—	6H4-45301-01-EK	1
3.	Housing, Water Pump	—	—	663-44311-02-00	1	44.	Washer, Locking	—	—	92990-08100-00	1
4.	Insert, Water Pump	18-3435 ①	2271	663-44322-00-00	1	45.	Bolt, Lower Casing	—	—	97095-08085-00	1
5.	Impeller	18-3068 ①	2009	6H4-44352-02-00	1	46.	Tab, Trim	—	—	664-45371-01-00	1
6.	Gasket, Wear Plate to Water Pump	18-0292 ① ②	2016	663-44315-A0-00	1	47.	Seal, Rubber	—	—	688-45375-00-00	1
7.	Wear Plate, Water Pump	18-3456 ①	—	663-44323-00-00	1	48.	Guide, Seal Rubber	—	—	663-45376-00-94	1
8.	Gasket, Wear Plate to Water Pump	18-0294 ① ②	2017	663-44324-A0-00	1	49.	Screw Ovalhead	—	—	98780-05535-00	1
9.	Base, Water Pump	—	—	663-44341-0094	1	50.	Cover, Water Inlet (port)	—	—	668-45214-02-00	1
10.	Gasket, Pump Base	18-0293 ① ②	—	663-44316-A0-00	1	51.	Shim Forward Gear (0.5mm)	—	—	6H4-45567-00-05	1
11.	O-Ring, Pump Base	18-0298 ②	2050	93210-41042-00	1	51.	Shim Forward Gear (0.8mm)	—	—	6H4-45567-00-08	AR
12.	Oil Seal, Pump Base	18-0297 ②	2039	93101-23070-00	2	51.	Shim Forward Gear (0.12mm)	—	—	6H4-45567-01-12	AR
13.	Bolt, Water Pump Housing	18-0256 ①	5202	97395-08045-00	2	51.	Shim Forward Gear (0.30mm)	—	—	6H4-45567-01-30	AR
14.	Water Pump Repair Kit	18-3429	2078	6H4-W0078-00-00	1	51.	Shim Forward Gear (0.50mm)	—	—	6H4-45567-01-50	AR
15.	Water Seal	18-0280 ①	—	663-44366-00-00	1	52.	Bearing, Tapered Roller	—	—	93332-000V4-00	1
16.	Drive Shaft (short)	—	—	6H4-45501-00-00	1	53.	Gear, Forward	—	—	6H4-4556-00-00	1
16.	Drive Shaft (long)	—	—	6H4-45501-10-00	1	54.	Pin, Cross (clutch dog)	—	—	90250-06023-00	1
17.	Bearing, Tapered Roller	—	—	93332-00079-00	1	55.	Clutch, Sliding	—	—	663-45631-01-00	1
18.	Shim (0.5mm)	—	—	663-45587-00-05	AR	56.	Retainer Ring, Cross Pin	—	—	663-45633-00-00	1
18.	Shim (0.8mm)	—	—	663-45587-00-08	AR	57.	Plunger, Shift	—	—	676-45635-00-00	1
18.	Shim (0.12mm)	—	—	663-45587-01-12	AR	58.	Slide, Shift	—	—	663-45634-00-00	1
18.	Shim (0.30mm)	—	—	663-45587-01-30	AR	59.	Spring, Compression	—	—	60501-16M01-00	1
18.	Shim (0.50mm)	—	—	663-45587-01-50	AR	60.	Shaft, Propeller	—	—	679-45611-01-00	1
19.	Sleeve, Drive Shaft	—	—	6H4-45536-00-0	1	61.	Washer, Plate	—	—	90201-22429-00	1
20.	Bearing, Needle	—	—	93315-32224-00	1	62.	Gear, Reverse	—	—	6H4-45571-00-00	1
21.	Bearing (not used 1988 & later)	—	—	663-45552-00-00	1	63.	Shim Reverse Gear (0.5mm)	—	—	663-45577-00-05	AR
22.	Gear, Pinion	—	—	6H4-45551-00-00	1	63.	Shim Reverse Gear (0.8mm)	—	—	663-45577-00-08	AR
23.	Nut, Pinion Gear	—	—	90170-12138-00	1	63.	Shim Reverse Gear (0.12mm)	—	—	663-45577-01-12	AR
24.	Key, Woodruff	18-3305 ①	2026	90280-03024-00	1	63.	Shim Reverse Gear (0.30mm)	—	—	663-45577-01-30	AR
25.	Gearcase Seal Kit	18-2792	2150	6H4-W0001-20-00	1	63.	Shim Reverse Gear (0.50mm)	—	—	663-45577-01-50	AR
26.	Bolt, Plate	—	—	97095-06016-00	1	64.	Washer, Thrust	—	—	663-45576-00-00	1
27.	Washer, Plate	—	—	92990-06600-00	1	65.	Pin, Cotter	18-2380	2083	91490-30030-00	1
28.	Plate	—	—	6H4-45321-01-00	1	66.	Nut, Castle	—	—	90171-16011-00	1
29.	O-Ring, Plate	—	—	93210-49046-00	1	67.	Washer	—	—	92990-16200-00	1
30.	Shift Cam Assembly (short shaft)	—	—	6H4-44150-01-00	1	68.	Spacer, Prop Mounting (aft)	18-3792	—	670-45997-02-00	1
30.	Shift Cam Assembly (long shaft)	—	—	6H4-44150-12-00	1	69.	Spacer, Prop Mounting (fore)	—	—	663-45987-02-00	1
31.	O-Ring, Bearing Housing	18-0299 ②	2051	93210-66M98-00	1	70.	Nut, Cover	—	—	697-45384-00-00	1
32.	Plug, Vent	—	—	90340-08M04-00	2	71.	Washer, Tab	—	—	90214-48M03-00	1
33.	Pin, Dowel	18-0255	5201	93606-12019-00	2	72.	Oil Seal, Bearing Housing	18-0296 ②	2040	93101-22067-00	2
34.	Gasket, Drain Plug	—	—	90430-08020-00	3	73.	Bearing, Needle	—	—	93317-22204-00	1
35.	Nut, Nylock	—	—	90185-05904-00	1	74.	Key, Bearing Housing	—	—	90282-04010-00	1
36.	Cover, Water Inlet (stbd)	—	—	688-45215-02-00	1	75.	Housing, Bearing	—	—	679-45331-00-94	1
37.	Washer, Locking	—	—	92990-10100-00	4						
38.	Bolt	—	—	97078-10040-00	4						
39.	Bearing, Ball	—	—	93306-00702-00	1						
40.	Plug, Drain	—	—	688-45341-00-00	1						
41.	Propeller	—	—	various	1						

① Contents of Water Pump Repair Kit **18-3429/AP# 2078**

AR As required

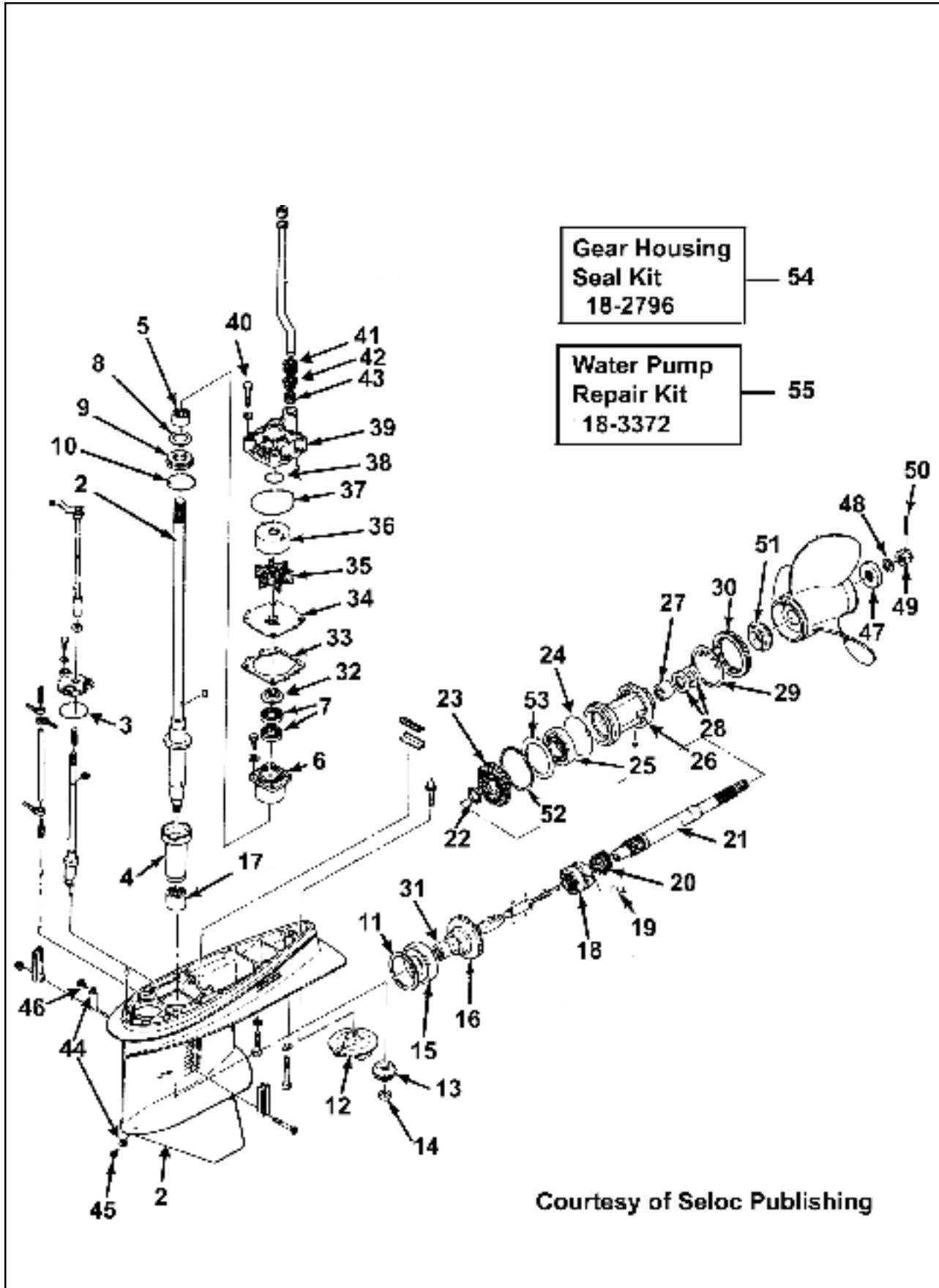
② Contents of Gear Housing Seal Kit **18-2792/AP# 2150**

**OUTBOARD**

**YAMAHA**  
Gearcase V-4 (1984-92)



**OUTBOARD**



Courtesy of Seloc Publishing



# YAMAHA

## Gearcase V-6 (1984-92)

Figure #	Description	Sierra#	AP#	O.E.M.#	Qty.	Figure #	Description	Sierra#	AP#	O.E.M.#	Qty.
1.	Housing, Gearcase	—	—	6E5-45301-03EK	1	25.	Bearing, Reverse Gear	—	—	93306-208U0-00	1
2.	Drive Shaft (long)	—	—	6E5-45501-01-00	1	26.	Housing, Bearing	—	—	6E5-45332-00-94	1
2.	Drive Shaft (x-long)	—	—	6E5-45501-21-00	1	27.	Bearing, Needle	—	—	93315-430U8-00	1
3.	O-Ring, Cover	—	—	93210-5867-00	1	28.	Seal, Prop Shaft	18-0266 ①	2035	93101-30M17-00	2
4.	Sleeve, Drive shaft	—	—	6E5-45536-00-00	1	29.	Washer, Tab	—	—	688-45383-02-00	1
5.	Bearing, Needle	—	—	93315-430V5-00	1	30.	Nut, Cover	—	—	688-45384-00-00	1
6.	Housing, Bearing	—	—	6E5-45331-0094	1	31.	Bearing, Forward Gear	—	—	93315-425U7-00	1
7.	Seal Drive Shaft	18-0265 ①	2034	93101-28M16-00	2	32.	Cover, Oil Seal	—	—	6E5-45344-00-00	1
8.	Shim (0.10mm)	—	—	6E5-45587-01-10	AR	33.	Gasket, Water Pump	18-0244 ① ②	2052	6E5-44315-A0-00	1
8.	Shim (0.12mm)	—	—	6E5-45587-01-12	AR	34.	Wear Plate, Water Pump	18-3344 ②	2273	6E5-44323-00-00	1
8.	Shim (0.15mm)	—	—	6E5-45587-01-15	AR	35.	Impeller	18-3071 ②	2275	6E5-44352-00-00	1
8.	Shim (0.18mm)	—	—	6E5-45587-01-18	AR	36.	Insert, Water Pump	18-3177 ②	2272	6E5-44322-00-00	1
8.	Shim (0.30mm)	—	—	6E5-45587-01-30	AR	37.	O-Ring, Water Pump	18-7485 ① ②	2044	93210-86M38-00	1
8.	Shim (0.40mm)	—	—	6E5-45587-01-40	AR	38.	O-Ring, Water Pump	18-7483 ① ②	2041	93210-37M67-00	1
8.	Shim (0.50mm)	—	—	6E5-45587-01-50	AR	39.	Housing, Water Pump	18-3170	2338	6E5-44311-00-00	1
9.	Bearing, Taper	—	—	93341-930U0-00	1	40.	Bolt, Water Pump	—	—	97080-08045-00	4
10.	O-Ring, Housing	—	—	93210-54534-00	1	41.	Damper, Water Seal	—	—	6E5-44366-00-00	1
11.	Shim (0.10mm)	—	—	6E5-45567-01-10	AR	42.	Cover, Pump Housing	—	—	6E5-44312-00-0	1
11.	Shim (0.12mm)	—	—	6E5-45567-01-12	AR	43.	Damper, Water Seal	—	—	6E5-44365-00-00	1
11.	Shim (0.15mm)	—	—	6E5-45567-01-15	AR	44.	Gasket, Drain Plug	—	—	90430-08020-00	2
11.	Shim (0.18mm)	—	—	6E5-45567-01-18	AR	45.	Drain Plug, Lower	—	—	688-45341-00-00	1
11.	Shim (0.30mm)	—	—	6E5-45567-01-30	AR	46.	Drain Plug, Upper	—	—	90340-08M04-00	1
11.	Shim (0.40mm)	—	—	6E5-45567-01-40	AR	47.	Spacer, Prop	18-4274	1831	688-45997-01-00	1
11.	Shim (0.50mm)	—	—	6E5-45567-01-50	AR	48.	Washer, Prop Nut	—	—	92990-18200-00	1
12.	Trim Tab	—	—	6E5-45371-01-00	1	49.	Nut, Prop	18-3726	1830	90171-18M04-00	1
13.	Gear, Pinion	—	—	6E5-45551-02-00	1	50.	Pin, Cotter	18-3735	1832	91490-40030-00	1
14.	Nut, Pinion	—	—	90170-16M01-00	1	51.	Washer, Thrust	—	—	6E5-45987-01-00	1
15.	Bearing, Forward Gear	—	—	93332-000U7-00	1	52.	Shim (0.10mm)	—	—	6L6-45577-00-10	AR
16.	Gear, Forward	—	—	6E5-45560-01-00	1	52.	Shim (0.12mm)	—	—	6L6-45577-00-12	AR
17.	Bearing, Needle	—	—	93315-628U9-00	1	52.	Shim (0.15mm)	—	—	6L6-45577-00-15	AR
18.	Clutch Dog	—	—	6R5-45631-01-00	1	52.	Shim (0.18mm)	—	—	6L6-45577-00-18	AR
19.	Cross, Pin Clutch	—	—	90250-08M07-00	1	52.	Shim (0.30mm)	—	—	6L6-45577-00-30	AR
20.	Retainer, Cross Pin	—	—	6E5-45631-01-00	1	52.	Shim (0.40mm)	—	—	6L6-45577-00-40	AR
21.	Shaft, Propeller	—	—	6E5-45611-01-00	1	52.	Shim (0.50mm)	—	—	6L6-45577-00-50	AR
22.	Washer, Thrust	—	—	90201-30M92-00	1	53.	Washer, Thrust	—	—	6E5-45576-00-00	1
23.	Gear, Reverse	—	—	6E5-45571-04-00	1	54.	Gear Housing Seal Kit	18-2796	2335	6E5-W0001-51-00	1
24.	O-Ring, Bearing Housing	18-0276 ①	2328	93210-86M39-00	1	55.	Water Pump Repair Kit	18-3372	2081	6E5-W0078-00-00	1

① Contents of Gear Housing Seal Kit **18-2796/AP# 2335**

AR As required

② Contents of Water Pump Repair Kit **18-3372/AP# 2081**

OUTBOARD